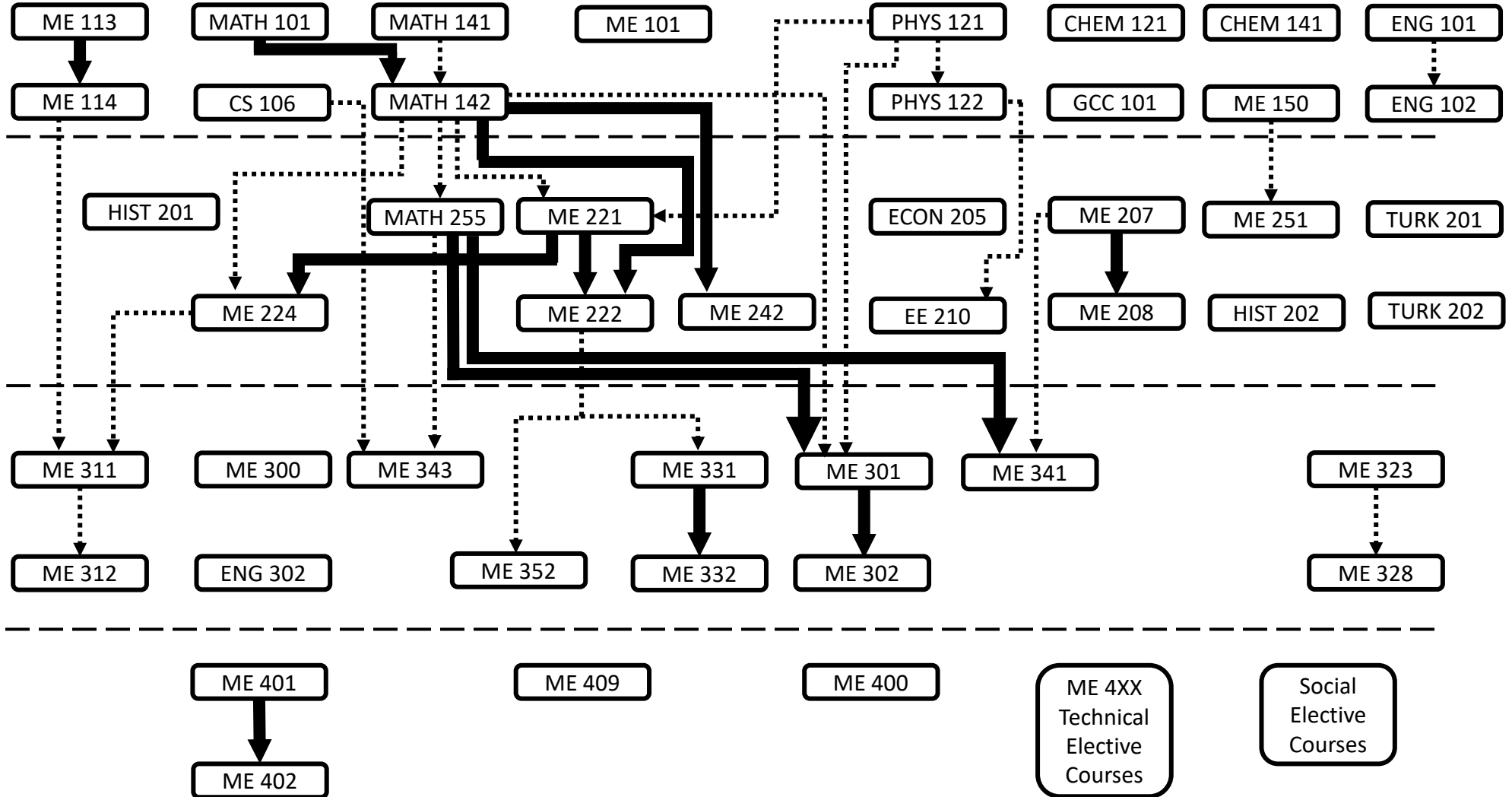


İZMİR INSTITUTE OF TECHNOLOGY
DEPARTMENT OF MECHANICAL ENGINEERING
COURSE PREREQUISITES



————— Prerequisite (The former course grade should be at least DD)

..... The former course should have been taken and the grade should be other than W or NA